



HEAVY DUTY CIRCULAR SPACER 75mm

75mm cover (Suits 12 - 25mm Rod)

PERFECT FOR...

- Column cage spacing
- Pile cage spacing
- Trench bar supports
- Civil Precast Construction

DESIGN SPECIFICS...

This Wheel is designed with the user & highest construction standards in mind, before you clip on you will notice the robust features such as the 3mm wall thickness and the meaty spokes that will support your cage. Depending on the bar size that you are clipping to, you have the ability to insert bar spacers to down-size the hole in the centre. This keeps the wheel snug whilst lowering the cage.

Ever had a circular spacer fall off when lowering the cage? Never again with this one! You can lock the spring clip in place by folding down the two locking tabs for guaranteed stability.

Code	Cover	Diameter	Colour	Bag Quantity	Bag Weight	Pallet Quantity	Pallet Weight
CSDH7520	75mm	170mm	Blue	30 units	5.5kg	1260 units	250kg

**STRONGEST
SPACER IN
NEW ZEALAND**

**FITS BAR SIZES
12-25mm**

**LOCKING TABS
GUARANTEE
STABILITY**

**AVAILABLE NOW!
0800 55 33 00**

**SPACER INSERTS TO
GIVE YOU A SNUG
FIT AND STILL
ALLOW THE WHEEL
TO SPIN FREELY**

CASTLE

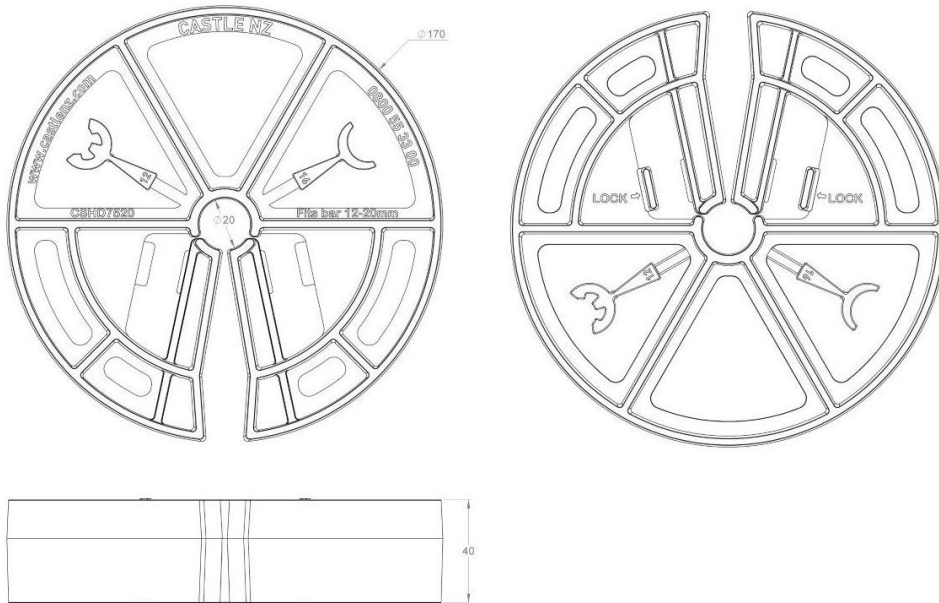
INNOVATIVE CONCRETE ACCESSORIES

15 Thames Street
Pandora, Napier 4110
New Zealand

0800 55 33 00
T: +64 6 835 5463
F: +64 6 835 0693

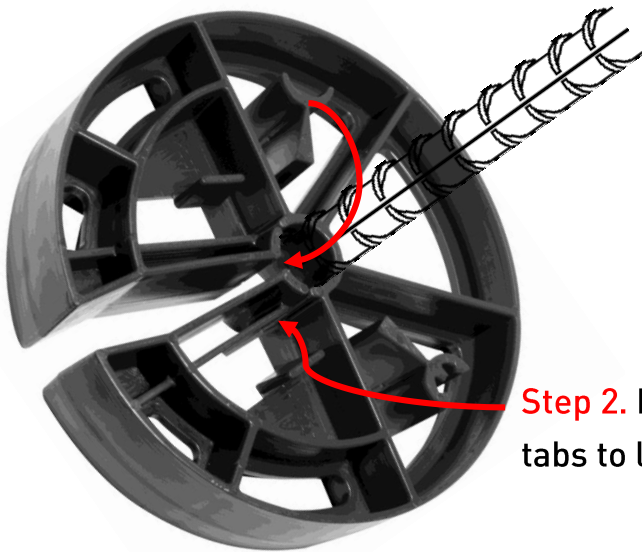
sales@castlenz.com
www.castlenz.com

TECHNICAL DIMENSIONS



EVERYDAY APPLICATION

Step 1. Remove the spacer & place in the shaft if needed for smaller bar



Step 2. Fold down the locking tabs to lock bar in place

STRONGEST
SPACER IN
NEW ZEALAND

FITS BAR SIZES
12-25_{MM}

LOCKING TABS
GUARANTEE
STABILITY

AVAILABLE NOW!
0800 55 33 00

SPACER INSERTS TO
GIVE YOU A SNUG
FIT AND STILL
ALLOW THE WHEEL
TO SPIN FREELY

CASTLE

INNOVATIVE CONCRETE ACCESSORIES

15 Thames Street
Pandora, Napier 4110
New Zealand

0800 55 33 00
T: +64 6 835 5463
F: +64 6 835 0693

sales@castlenz.com
www.castlenz.com