

Seismic Grade Reinforcing Mesh SE72DE SI



Mesh Specification

Product Description: 6.425m x 2.37m – 200 x 200 Grid R7.0 Line Wire, R7.0 Cross Wire.
Product is fully tested for conformance to AS/NZS 4671:2019.

	Wire Dia. (mm)	Spacing (mm)	Length (mm)	No. of Wires	Overhangs (mm)	mm ² /m	Wire (kg/m)	Weight (kg)
Longitudinal Wire	7.0 R	200	6425	10	37	192.4	0.3021	19.44
Edge Wire	5.5 R	75	6425	4	37		0.1865	4.81
Cross Wire	7.0 R	200	2370	34	10	192.4	0.3021	24.38

Gross Sheet Weight (kg):	48.63
Mass Per Square Meter (kg/m ²):	3.021
Gross Sheet Area (m ²):	15.227
Nett Cover (m ²):	13.642

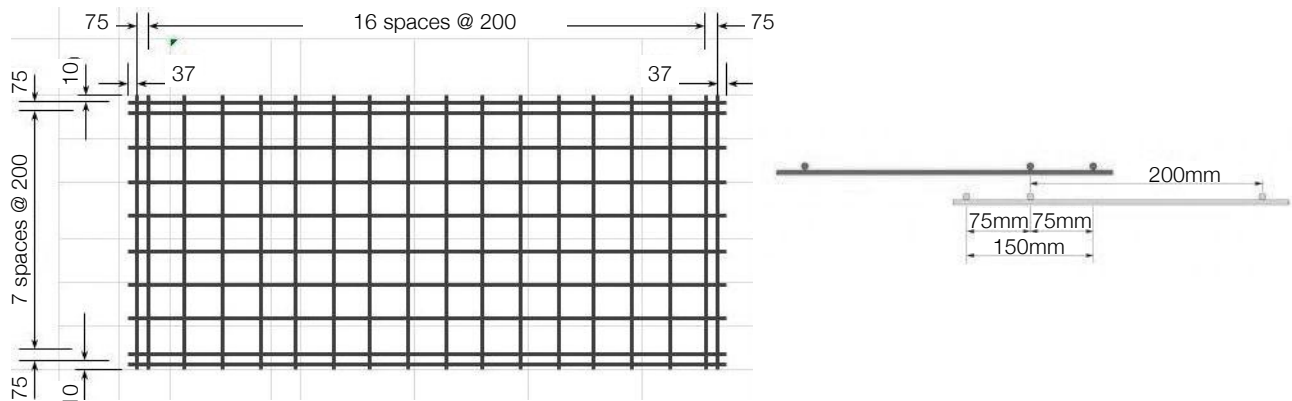
Ratio Stack & Turned (Y/N):	Y
No. of Sheets / Bundle:	25
Estimated Cubic (m ³):	0.1599
Bundle Weight (Tonnes):	1.2158

Mechanical Properties (characteristic values)

Uniform Elongation %	Yield Strength		Tensile Ratio	
	Min	Max	Min	Max
≥ 10 %	500MPa	600MPa	1.15	1.4

Minimum weld shear strength 9.6kN

Mesh Sketch (not to scale)



*All measurements/weights approximate.